

STI 2120TF Driver Installation Manual

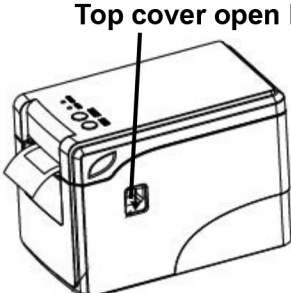
1. Driver installation Notes

- 1.1 STI2120TF including Label mode (in adhesive thermal paper) and Receipt mode (in Thermal paper roll)
- 1.2 Factory default of STI2120TF is Label mode.
- 1.3 For label mode, choose "STI2120TF (Label)" to install the driver;
For receipt mode, choose "STI2120TF (Receipt)" to install the driver.
- 1.4 Change the printing mode in between Label and Receipt mode:


Turn off the printer power, press and hold on the PAUSE button and FEED button, then turn on the printer power, release two buttons till hearing a beeper, a page showed current printing mode comes out automatically. Repeat the steps above to change the printing mode in between label and receipt mode.

2. Process of Driver Installation

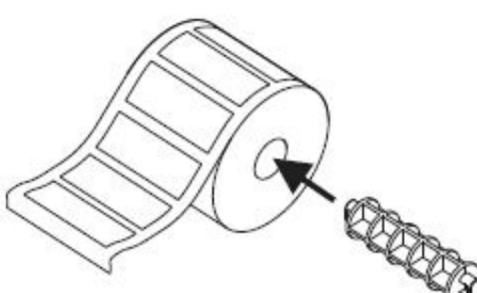
Step 1: Paper roll installation



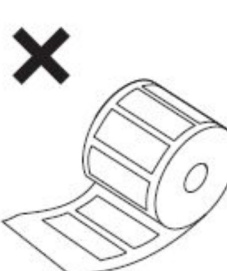
Top cover open button

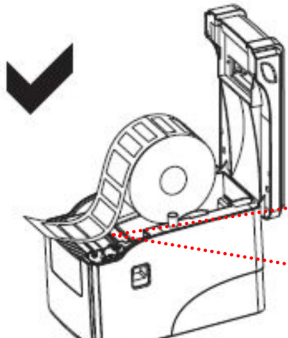


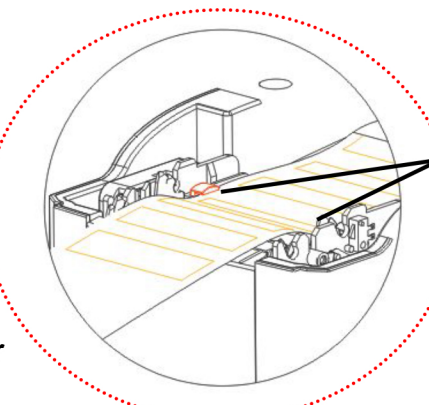
Paper roll spindle slot



1: press the button to open the top cover **2: Insert the paper roll spindle into the paper roll**







Paper roll should be kept left in the slot and pull the leading edge of paper and thread through the Limiting block.

3: Fix the paper roll into the slot and label paper should be facing up as picture showing.

Step 2: Connection of USB cable and Power cord.

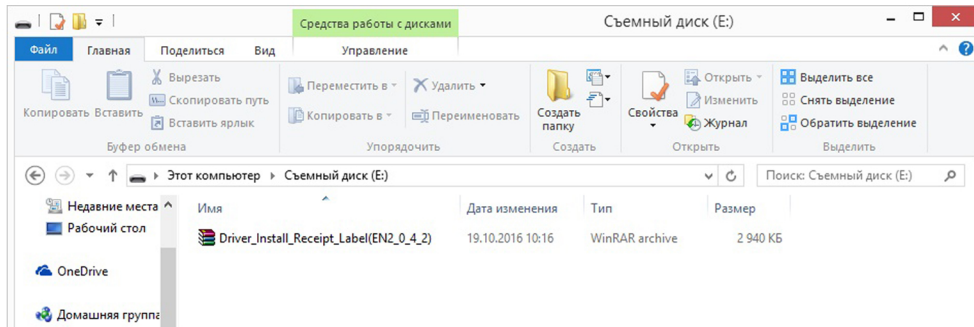
Connect the printer with computer via USB cable. The printer power jacks is a 3-pin socket and for 12V/4A DC power input, please plug the DC cord connector into the printer's power jack properly.

ATTENTION: PLEASE DO NOT PLUG THE DATA CABLE OR POWER CORD WHEN THE PRINTER POWER IS ON.

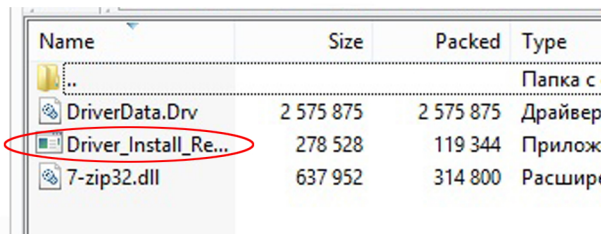
Step 3: Driver Installation (It points to Win7 in 32bit systems as an example of how to install the label driver)



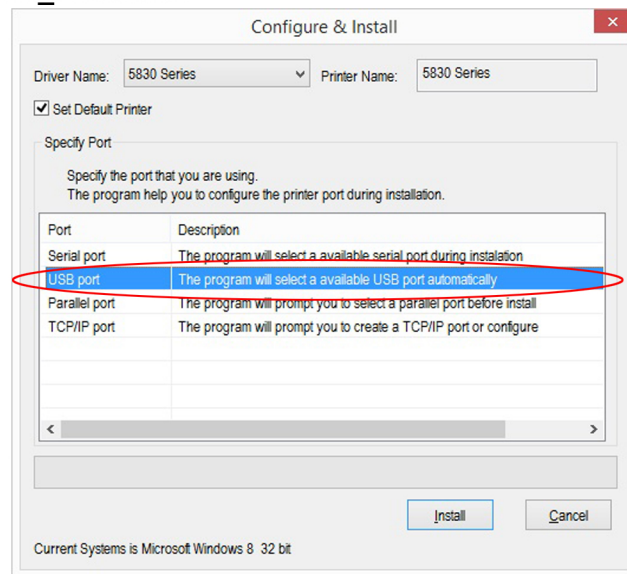
3.1: Turn on the printer power, an U-Disk appears in computer, then click it, there is a driver package as bellow:



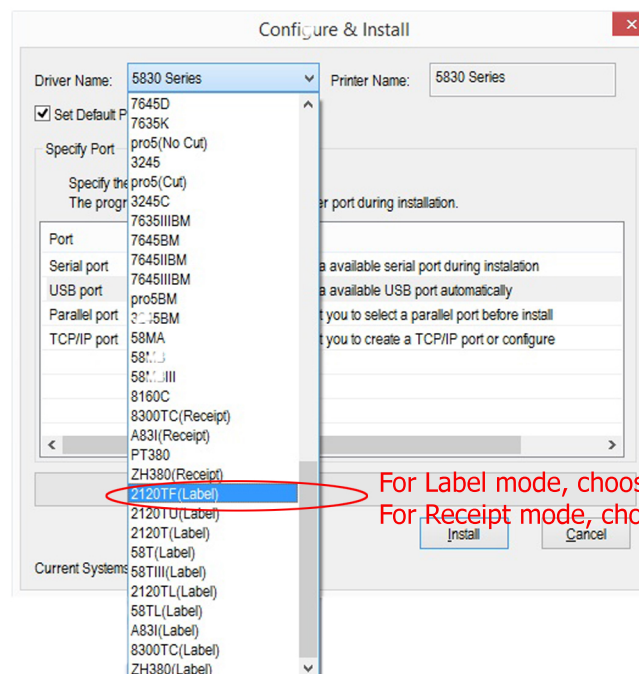
3.2.: Copy the driver package to disk E or F, then Unzip it as bellow:



3.3: Double click the Driver_Install.exe.

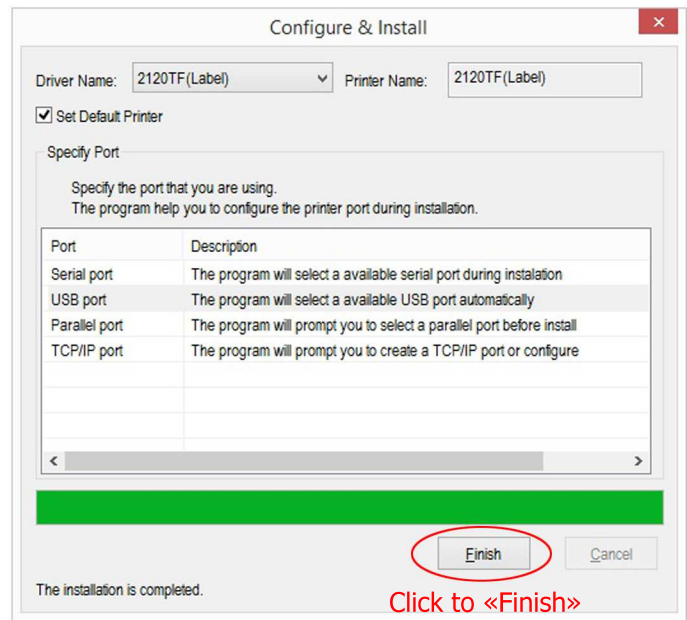
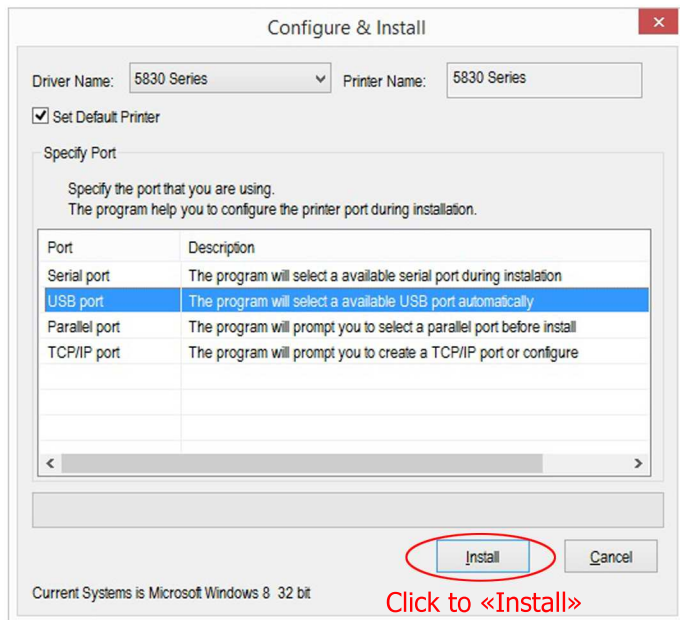


Choose USB Port



For Label mode, choose «2120TF (Label)» to install the driver
For Receipt mode, choose «2120TF (Receipt)»





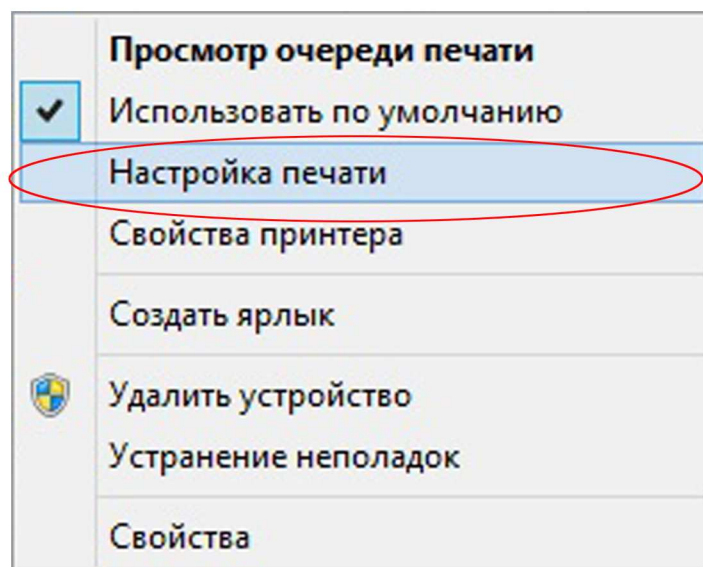
Step 4: Set the paper size and gap (when it is receipt mode, skip this step)

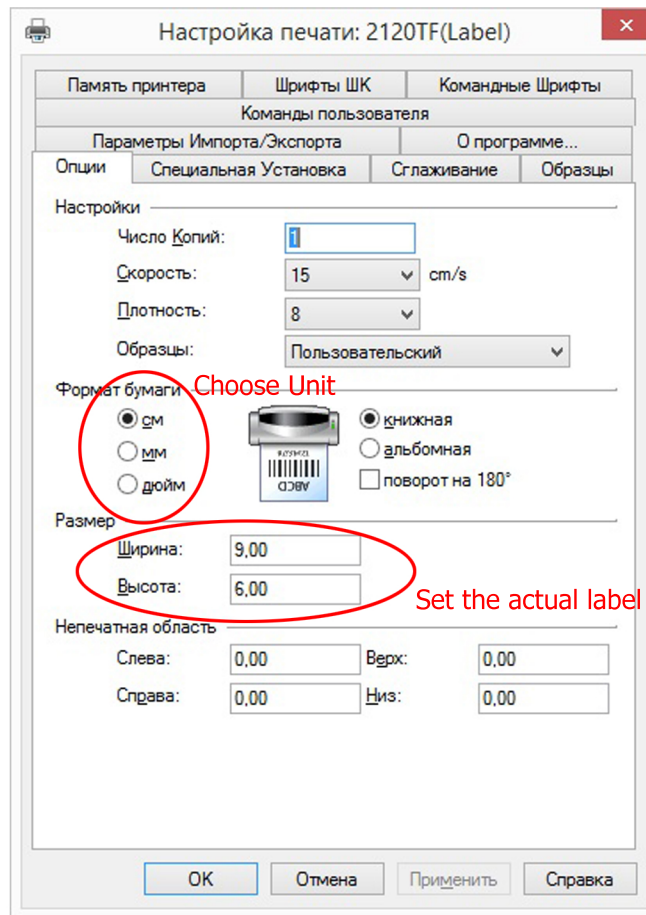
Click **【start】** - **【device and printer】** , driver of STI 2120TF(Label) showed as bellow:

Принтеры (5)



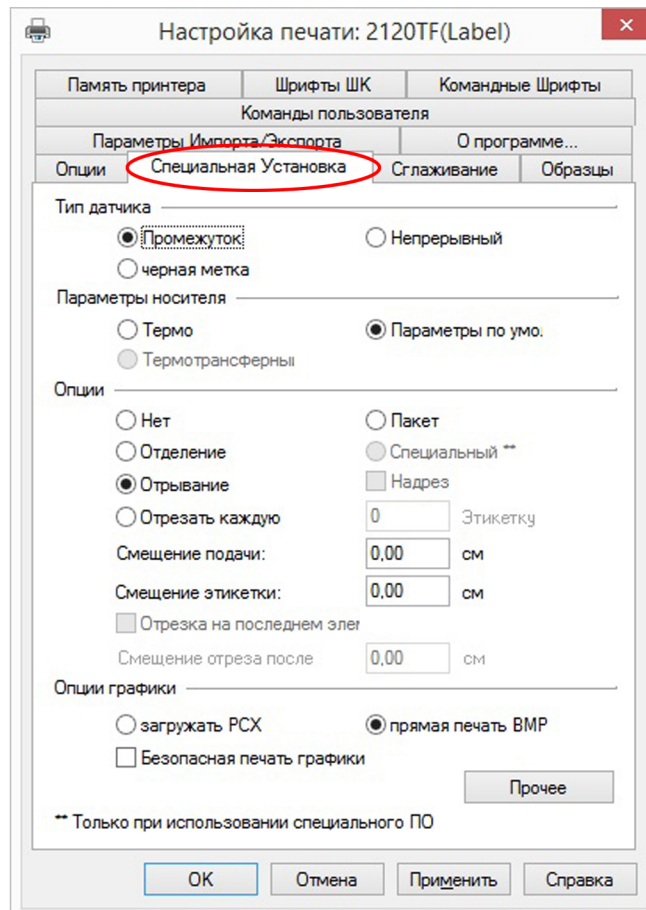
Right click the driver of STI 2120TF (Label), click printing preferences, set paper size as bellow:

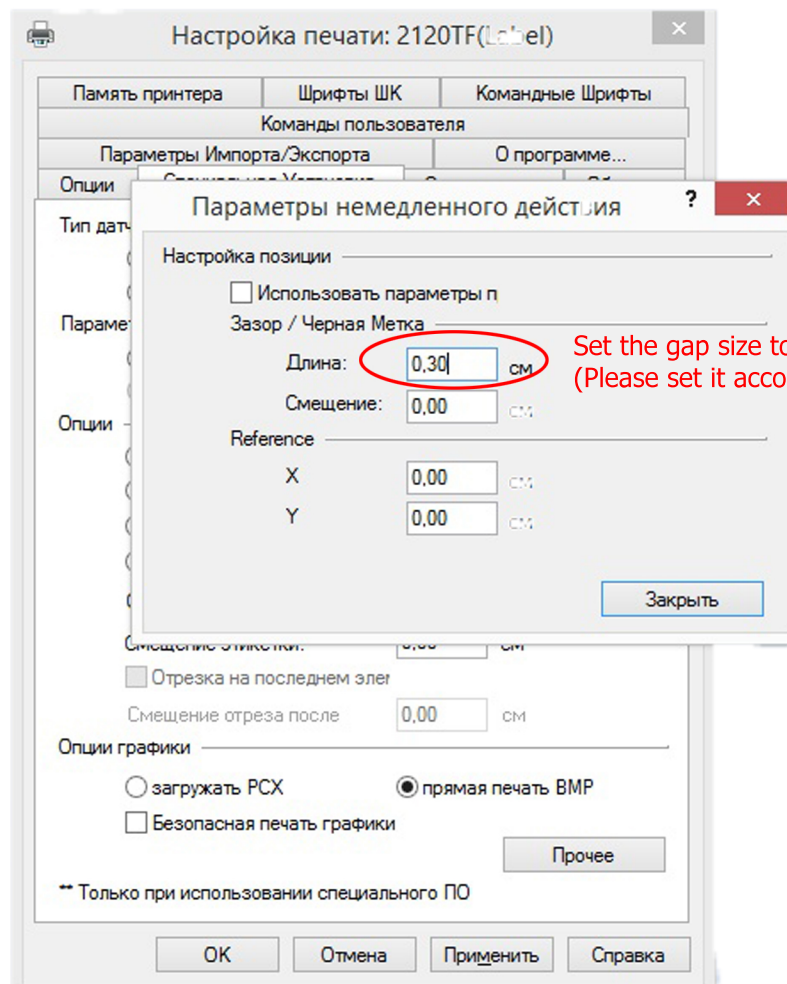
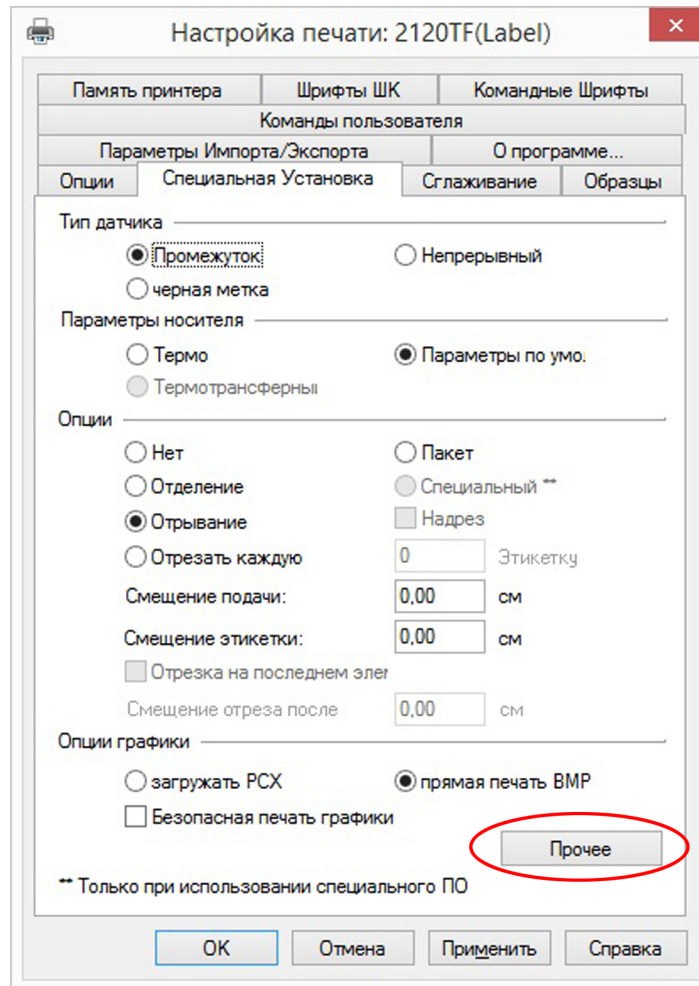




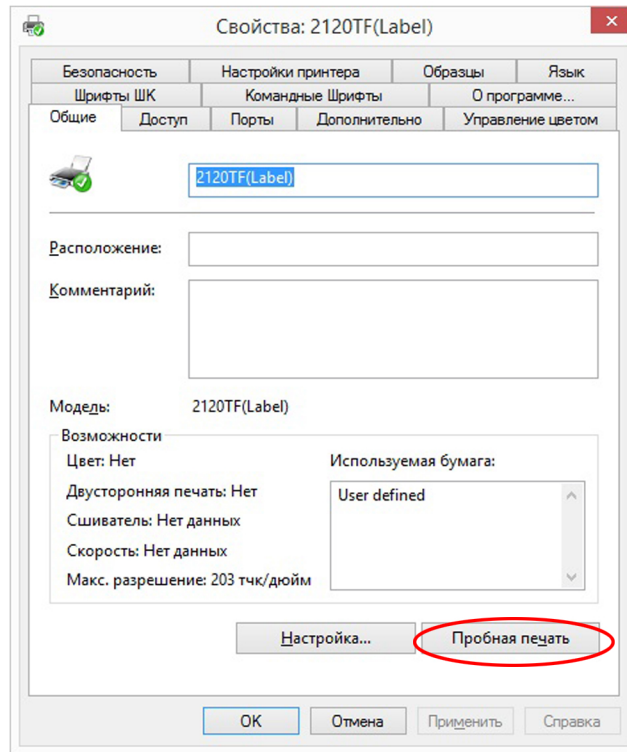
3.4.2 Set the gap of label as bellow:

Click the **【Advanced setup】** in Printing preference of below pictures.





Step 5: Click "Print a test page" in properties of printer.



After printing the test page, and then press Feed button and 1 label comes out, it means that driver installed successfully.

4. Installation of label software and APP

www.st54.ru

Термопринтер штрихкода STI 2120TF



Эвотор Работает с Эвотор

Бюджетный настольный принтер этикеток с интерфейсами USB, RS-232 и скоростью печати в 127 мм/сек

New!

Товар	Цена	В корзину
Термопринтер STI 2120TF	6 800 руб.	1 <input type="button" value="Купить"/>

[Редактировать](#)

[Характеристики](#) [Описание](#) **[Файлы](#)** [Полезные материалы](#) [Доставка и оплата](#)

Файлы и программы

	Драйвер для установки термопринтера штрихкодов STI 2120TF	4.38 МБ	<input type="button" value="скачать"/>
--	---	---------	--



- Москва** 107140, Леснорядский пер, 18, ст. 6, оф. 11 +7 (495) 120-60-10
- Новосибирск** 630039, ул. Большевистская, 131, 211 +7 (383) 212-09-82
- Барнаул** 656037, пр. Ленина, 154а, корп. 7, оф. 205 +7 (3852) 502-756
- Новокузнецк** 654007, ул. Павловского 11а, оф. 512 +7 (3843) 99-37-71